

SUNFIRE®

CR80 RADIANT HEATER

Operation & Service Manual



Table of Contents

Using This Manual:	2
Quick Steps...:	2
General Information:	2
Product & Price Information:	2
Finished Assembly: CR-80 (Part# 95080CR)	3
Identification Table:	3
Frame Assembly (Part# 81011616)	4
Identification Table:	4
Dome Assembly (Part# 81011363)	5
Identification Table:	5
Burner Assembly (Part# 81011600)	6
Identification Table:	6
Nozzle Line Assembly (Part# 81011586)	7
Identification Table:	7
Electrical Bracket Assembly (Part# 81010978)	8
Identification Table:	8
Tune-up Kit (Part# 81012353)	9
Identification Table:	9

CR80

RADIANT HEATER



SunFire: The most advanced, most durable portable multifuel radiant heaters made in the USA

Using This Manual:

QUICK STEPS...:

To use this catalog, follow these easy steps:

1. Determine what Assembly or Component you wish to order.
2. Reference the Table of Contents above to determine the page the part is located on.
3. Use the exploded views to locate the part Item Number, then cross reference the number in the table.

-or-

Scan through the tables and use any of the information provided to locate the part

NOTE: Drawings are not to scale.

GENERAL INFORMATION:

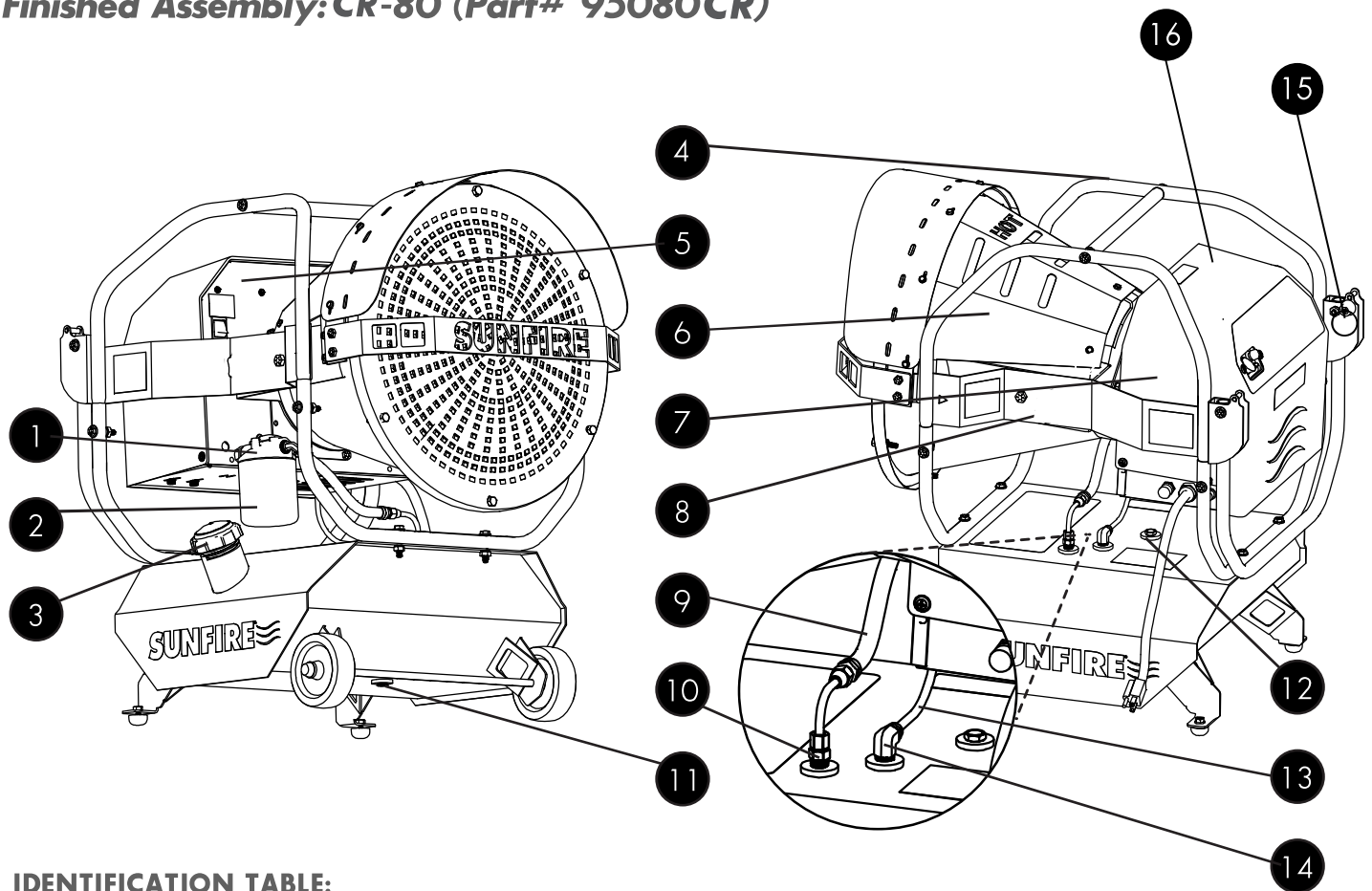
- All content in this catalog is subject to change without notice.
-

PRODUCT & PRICE INFORMATION:

1. Specifications and availability of products are subject to change without notice.
 2. Descriptions may not reflect current technical information.
 3. Any typographical, photographic, drawing or specification error in products or pricing is subject to correction.
 4. Products shown are not to scale.
 5. Products may vary in appearance.
 6. Advertising and selling parts over the internet is prohibited.
-



Finished Assembly: CR-80 (Part# 95080CR)

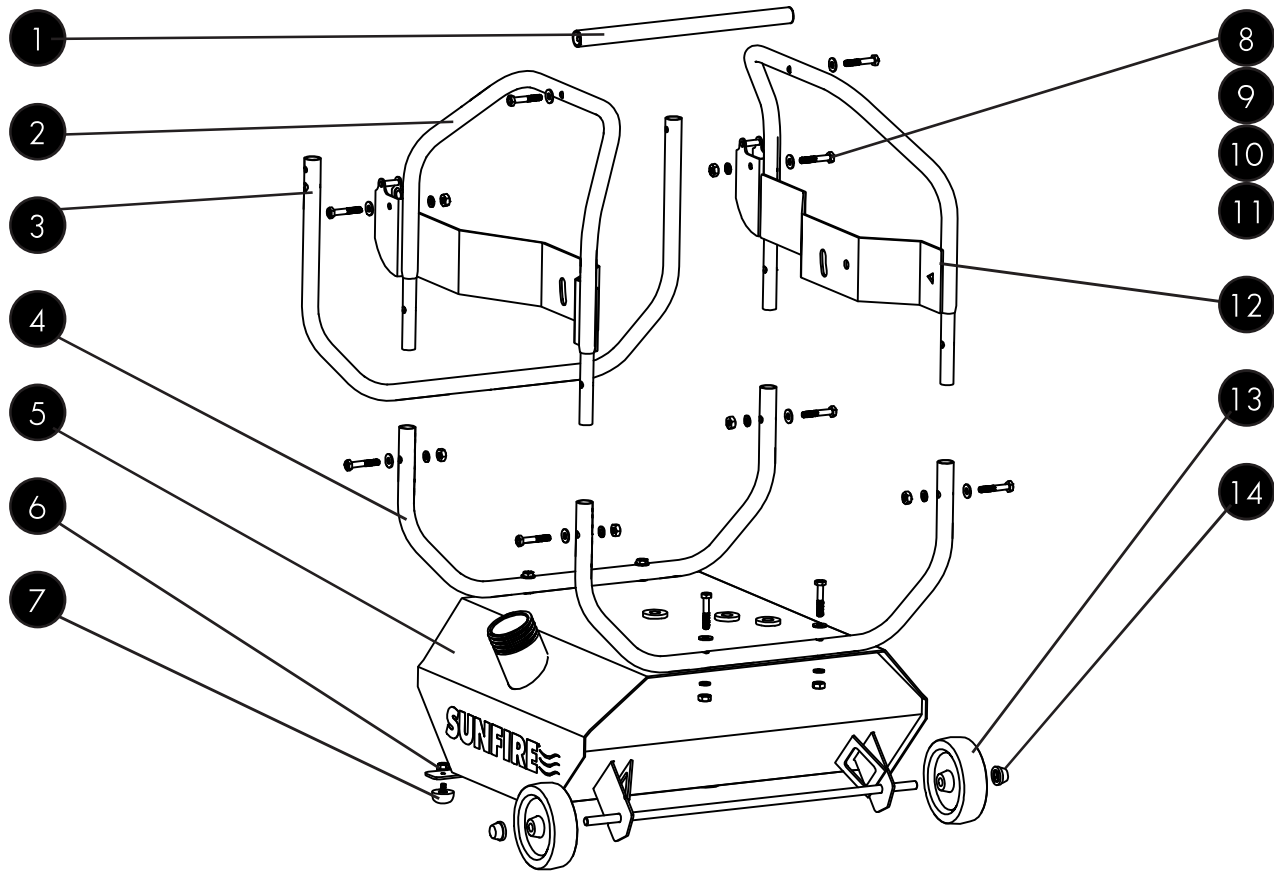


IDENTIFICATION TABLE:

ITEM ID#	PART#	DESCRIPTION
1	81010874	Filter Head
2	81010875	Fuel Filter (Spin-on)
3	81011617	Fuel Cap w/ Gauge
4	81011616	Frame Assembly (See page 4)
5	81011600	Burner Assembly (See page 6)
6	81011363	Dome Assembly (See page 5)
7	81010617	Burner Cover w/ Labels
8	N/A	N/A
9	81011657	Suction-Line Hose
10	81011655	Draw-Tube Assembly
11	81010954	Drain Plug
12	81011733	Pressure-Relief Valve
13	81010881	Prime Line
14	81010880	1/4" NPT 90° Elbow x 1/4" OD Compression
15	81011434	Locking Pin for Handle
16	81011616	Top Frame Assembly



Frame Assembly (Part# 81011616)

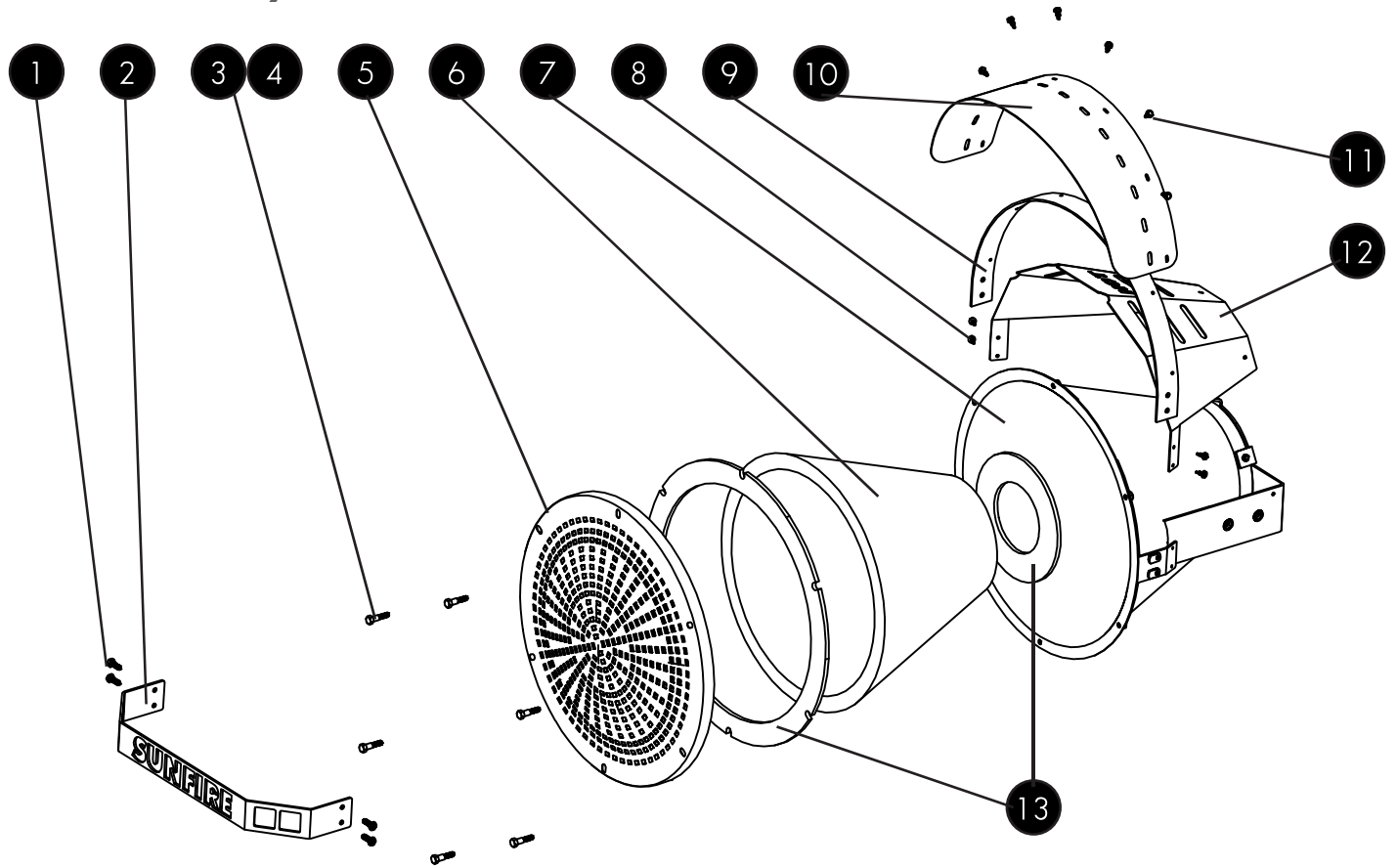


IDENTIFICATION TABLE:

ITEM ID#	PART#	DESCRIPTION
1	81011624	Crossbar w/ Inserts
2	81012199	Upper Frame Right w/ Labels
3	81011380	Tube - Handle
4	81011379	Frame Tube Lower
5	81012201	Assembly - Tank w/ Labels
6	34092	Locking Nut
7	81011360	Foot - Threaded Stud Bumper
8	81010963	Bolt - 1/4-20 x 1-1/2" BLK HH
9	81010966	Washer - 1/4-20 BLK HH
10	81010967	Washer - Split 1/4-20 BLK SS
11	81010968	Nut - 1/4-20 BLK
12	81012200	Upper Frame Left w/ Labels
13	81011358	Wheel - 4"
14	81011361	Wheel Retainer - 3/8" Push-on



Dome Assembly (Part# 81011363)

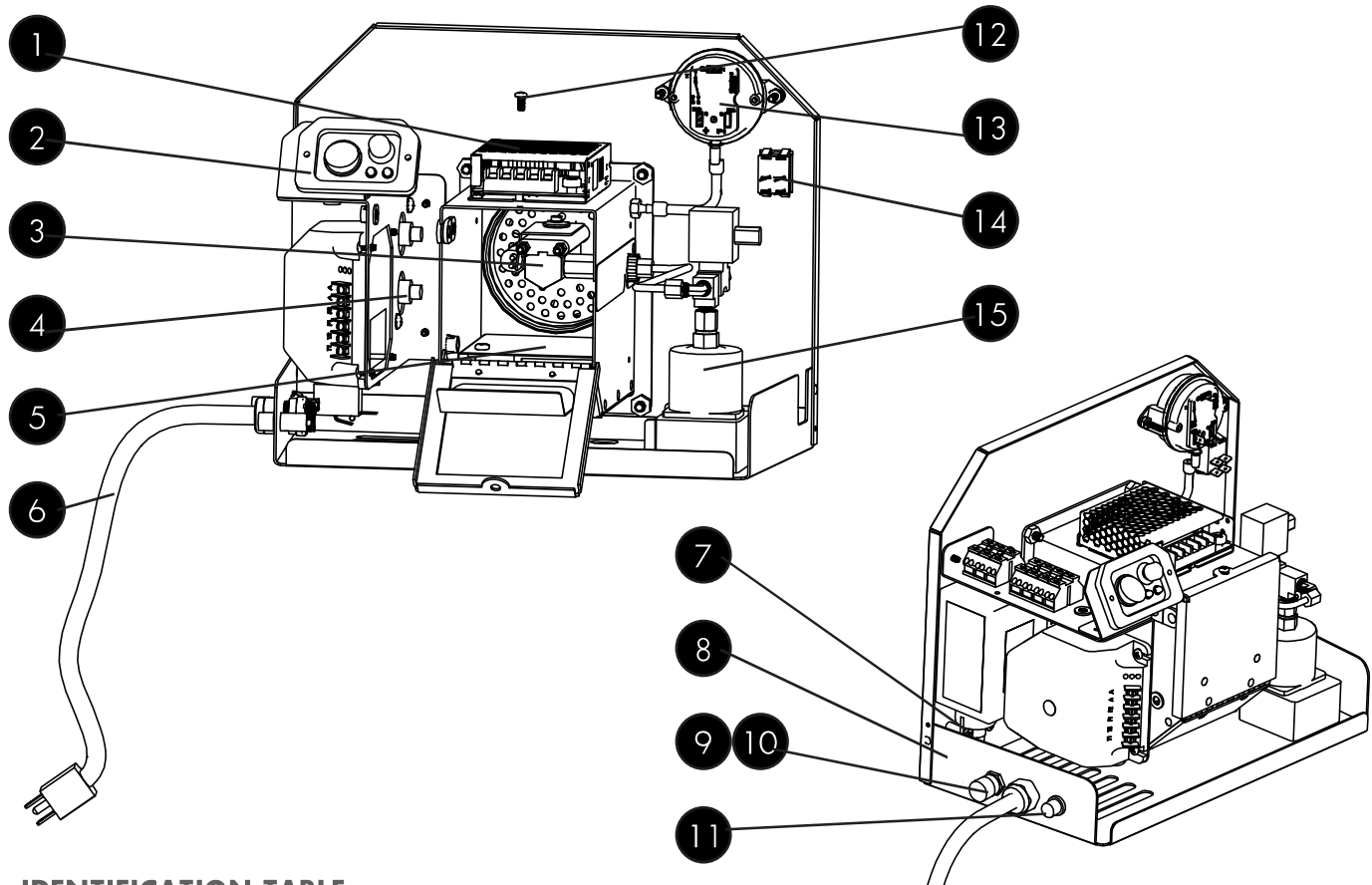


IDENTIFICATION TABLE:

ITEM ID#	PART#	DESCRIPTION
1	81010959	Screw - 1/4-20 x 3/4" SS Hex Head
2	81011372	Flame Guard
3	81010958	SS Shoulder Bolt
4	81011036	Washer - 5/16"ID, 0.094Th, SS
5	81011362	Dome Face
6	81011370	Dome Insulation
7	81011364	Weldment - Dome
8	81010960	Screw - # 10 x 1/2" BLK TEK
9	81011369	Mounting Ring
10	81011373	Visor
11	7014	Screw - # 10 x 1/2" Galv TEK
12	81011371	Heat Shield
13	81011368	Dome Gaskets



Burner Assembly (Part# 81011600)

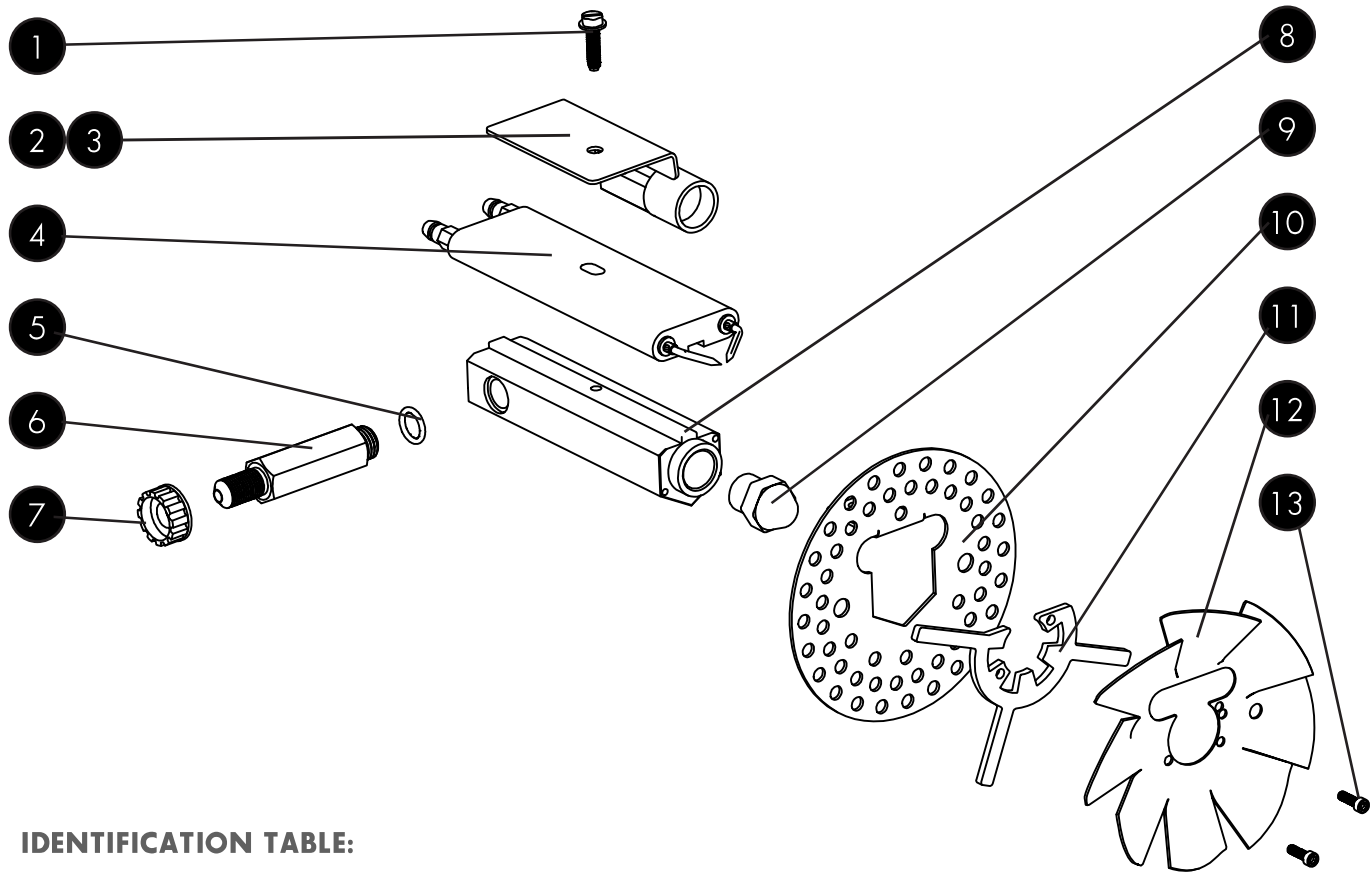


IDENTIFICATION TABLE:

ITEM ID#	PART#	DESCRIPTION
1	81011394	Voltage Regulator
2	81010978	Assembly - Electrical Bracket (See page 8)
3	81011586	Assembly - Nozzle Line (See page 7)
4	81010597	Ignition Cables (not shown)
5	81011395	Blower
6	29437	Power Cord
7	29450	Tip Switch
8	N/A	N/A
9	76000841	Fuse Holder
10	20510113	Fuse - FA 8A 250V 6.3
11	33168	Light - LED Amber
12	81010976	Screw - 8-32 x 3/8" BLK
13	81010896	Pressure Switch
14	81010893	Prime Switch - DPDT - Momentary
15	81011585	Assembly - Pump w/ Fittings



Nozzle Line Assembly (Part# 81011586)

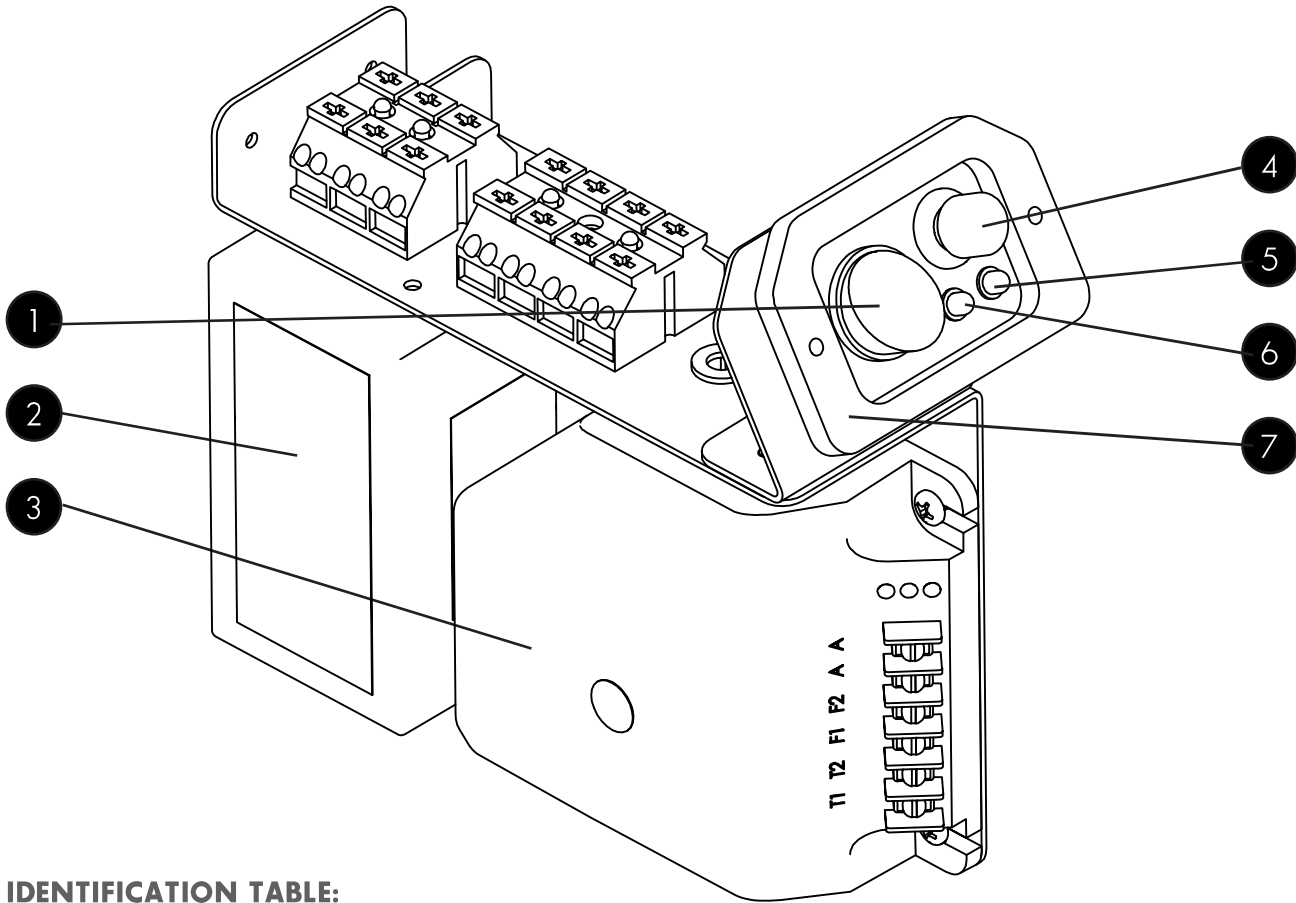


IDENTIFICATION TABLE:

ITEM ID#	PART#	DESCRIPTION
1	20410117	Screw - 8-32 x 0.0625" - Slotted Head
2	81011731	Bracket - Flame Sensor
3	8981	Flame Sensor
4	81010611	Electrode Assembly - SF80
5	76001386	O-Ring - Viton
6	81010612	Fitting - Bulkhead - SF80
7	20410110	Knurled Nut
8	81010610	Nozzle Block - SF80
9	81011926	Nozzle - SF80 .50
10	81011393	Diffuser Plate
11	81010867	Centering Device
12	81011588	Spinner - SF80
13	81010952	Screw - 4-40 x 3/8" Hex Cap S



Electrical Bracket Assembly (Part# 81010978)

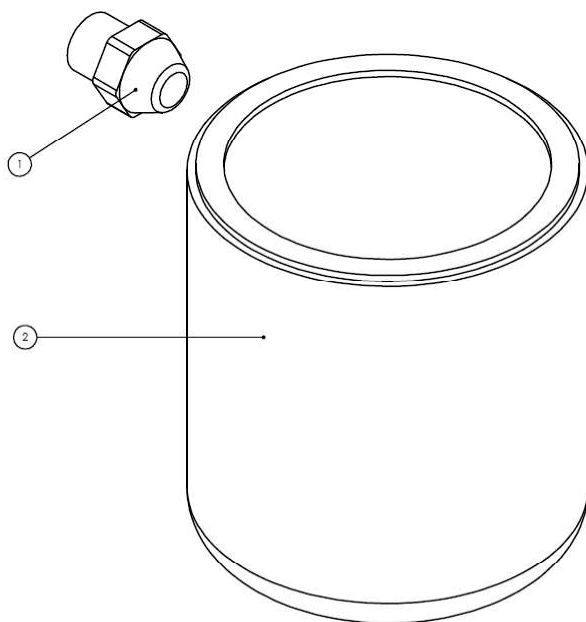


IDENTIFICATION TABLE:

ITEM ID#	PART#	DESCRIPTION
1	29449	Power Switch - On/Off
2	37501	Electric Igniter
3	37502	Primary Control
4	81010629	Button - Reset - SPST Momentary
5	81010628	Light - LED Red
6	81010627	Light - LED Green
7	81010868	Gasket - Switch and Light



Tune-up Kit (Part# 81012353)



Identification Table:

ITEM ID#	PART#	DESCRIPTION
1	81011926	Nozzle - .50
2	81010875	Fuel Filter (Spin-on)

